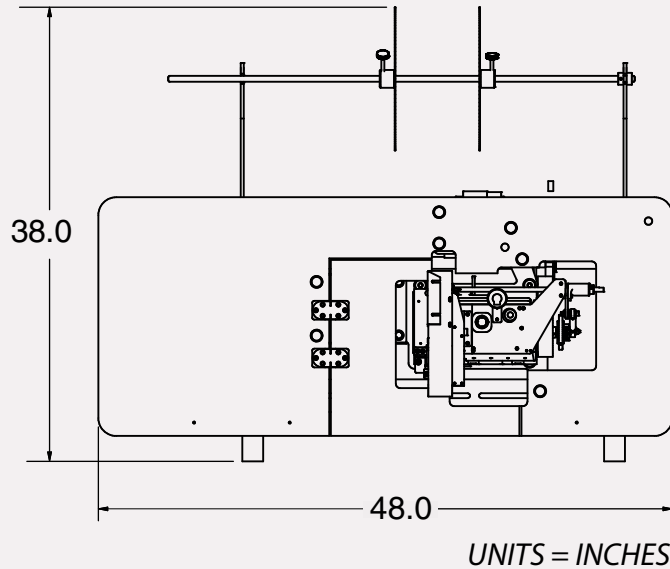




GAP3300

Flange Machine

Belt-driven serger/flanger from GALKIN engineered for light-to-medium-weight goods and provides optimal performance with flanging panels up to four inches thick.



SPECIFICATION	GAP3300
Capacity	0-4" (0-102mm)
Stitch	4-5 s.p.i. @ 1.5-2 s.p.cm
Max Speed	4200 r.p.m
Needle Size	135x7#22
Top Feed	Power Trac™
Lubrication	Dual Chamber Forced Oil
Footprint Dimensions	38" x 48" / 965mm x 1219mm

GAP3300 utilizes the Power-trac top feed system, allowing the sewing machine to continually compress material and feed through the sewing machine in its most-compressed state. The machine controls the material and allows operators to effortlessly serge both thin and medium-weight panels at high speeds.

- Manually operated sewing station with a chain foot pedal lift.
- Includes a mechanical material compressor, gravity material scrap chute, and optional waste removal system.
- Sews at over 4000 rpm with good control of materials.
- Heavy-duty, super-high-speed flanging machine for medium-sized panels.
- Available at an economical price point from the company that invented the flanging machine.
- The GSG line of flangers has a model that will fit the performance specifications, automation level, or budget of any factory.

Global Systems Group® (GSG) is a collection of the world's leading mattress machinery companies. These GSG machinery companies represent leading-edge technology in computerized quilting machines and panel cutters, automated and conventional sewing machines, material handling solutions, and mattress-packaging equipment.

800-343-8138 • 417-237-6254 • GSGcompanies.com

