



DST-60

Automatic de-stacker

Robotic arms transfer quilt panels to workstation for greater productivity. Panels can be lifted from carts and placed onto flanger work space or similar functions. Reduce non-value-add labor tasks and focus machine operator on immediate task for greater efficiency.





* Porter EST-501 flange machine pictured here is sold separately.

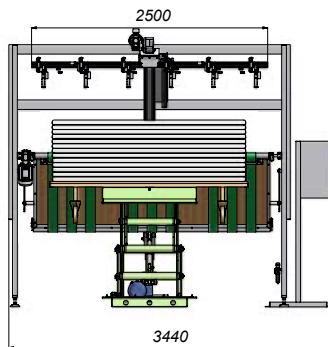
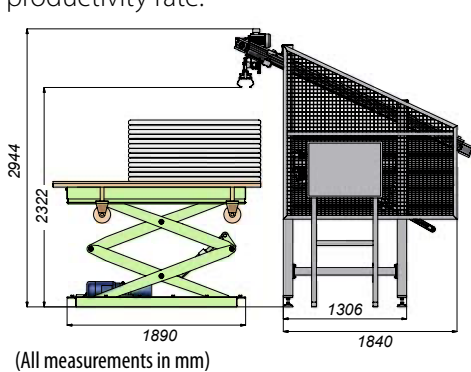


This is one the most practical forms of automation available in the mattress factory!

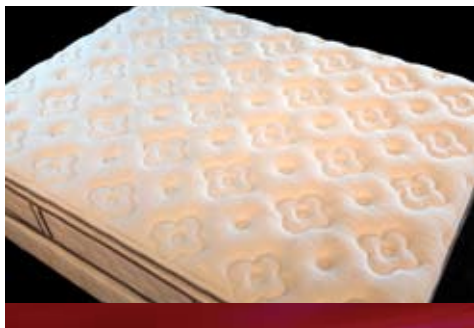
Upon the command of the serge/flange operator, the DST-60 delivers the next mattress panel into the immediate workspace. This focuses the operator's time and efforts on actual serging/flanging rather than the non-productive tasks of gathering panels and dragging them to his work area. This makes the actual serging labor faster, and more ergonomic-friendly, resulting in a better productivity rate.

This strong scissors lift raises the entire cart-load of quilt panels into position, automatically advancing as panel flanging/serging process is completed.

Once emptied the cart can be re-positioned behind the quilter/panel cutter to re-load.



Specification	Detail
Electric	400V/3/50/60 with neutral 25A
Pneumatics	80psi



Global Systems Group® (GSG) is a collection of the world's leading mattress machinery companies. These GSG machinery companies represent leading edge technology in computerized quilting machines and panel cutters; automated and conventional sewing machines; and mattress packaging equipment.



GLOBAL SYSTEMS GROUP®

A DIVISION OF *Legett & Platt*
INCORPORATED

131 Zapletal Way
Carthage, MO 64836 USA

800-343-8138 417-237-6254 www.GSGcompanies.com

